

SALSBURY INDUSTRIES WOOD LOCKERS

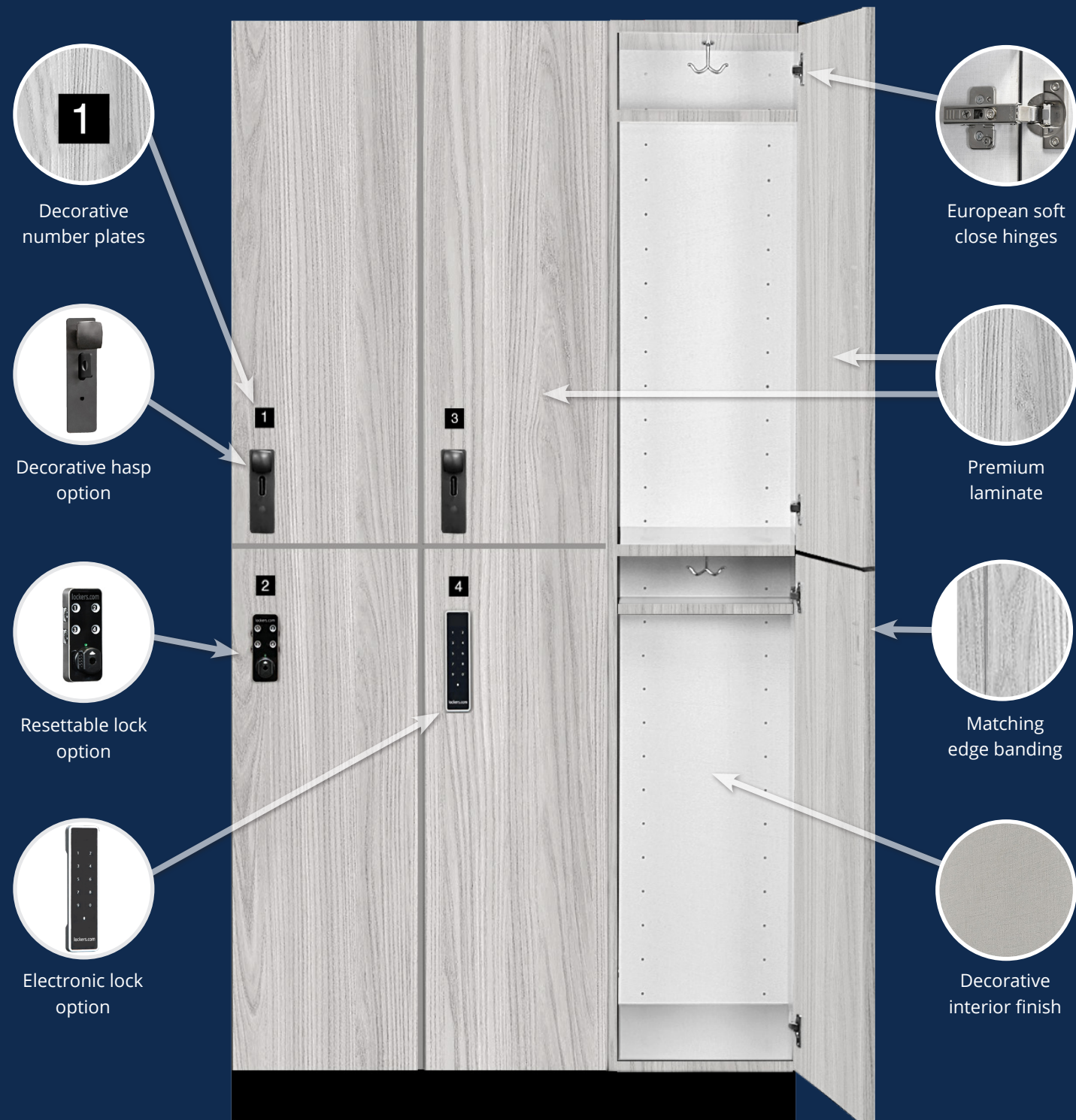
Salsbury Industries offers a complete line of wood lockers designed specifically for your needs. Elevate your locker room with our **Premier Wood Lockers**, combining luxury and functionality. These lockers feature a stain and scratch-resistant high-pressure laminate, and a decorative interior finish. Our **Designer Wood Lockers** are a perfect addition to locker rooms in health clubs, gyms, and professional environments. They are made of industrial-grade particleboard and covered with a durable high-pressure laminate. Salsbury lockers are available in various styles, sizes, colors, and configurations. All lockers can be ordered by phone or online at www.lockers.com.



People Committed to Quality Since 1936®

PREMIER WOOD LOCKERS

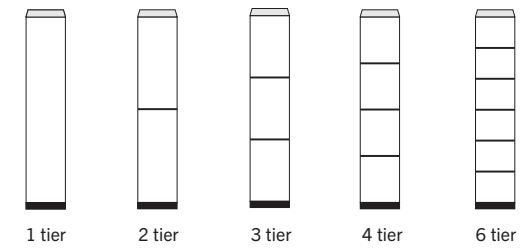
Premier Wood Locker Features



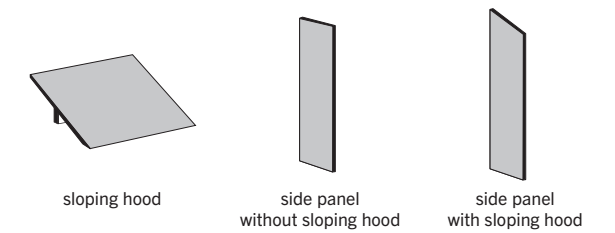
PREMIER WOOD LOCKERS FEATURES

- Constructed of industrial grade particleboard and premium laminate on both sides of the doors.
- Ideal for country clubs and clubhouses, health clubs, spas and salons, sports and athletic facilities or wherever a professional environment is desired.
- Matching edge banding on doors and front frames with a decorative interior finish.
- All locker doors include heavy duty soft close European hinges and decorative number plates.

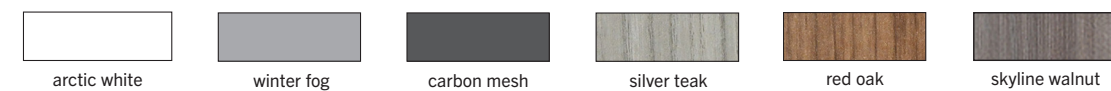
CONFIGURATIONS



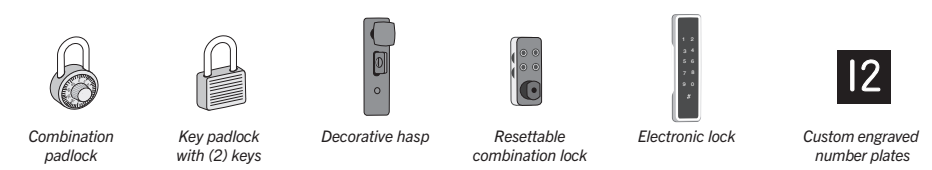
TOP AND SIDE OPTIONS



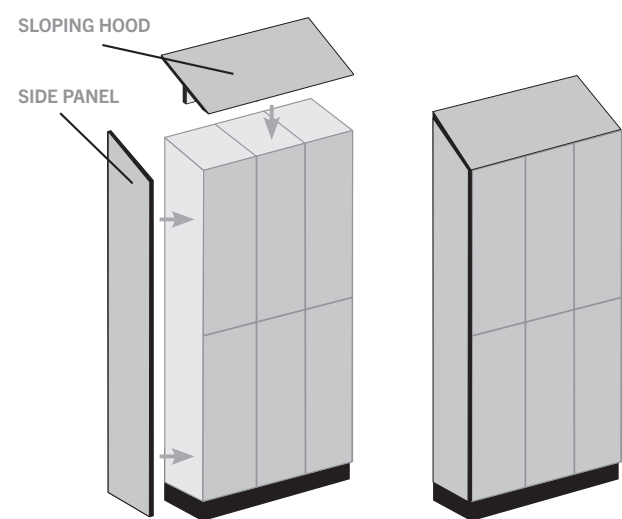
COLOR OPTIONS



LOCK OPTIONS / NUMBER PLATES



DISPLAYED WITH OPTIONAL SIDE PANEL AND SLOPING HOOD



Online Resources

- Product Information
- 3D Revit / BIM Models
- Detailed Specifications
- Technical Drawings
- Augmented Reality (AR) Models
- Installation Instructions
- AutoCAD Drawings



Visit: www.lockers.com/Architectural-Resources

DESIGNER WOOD LOCKERS

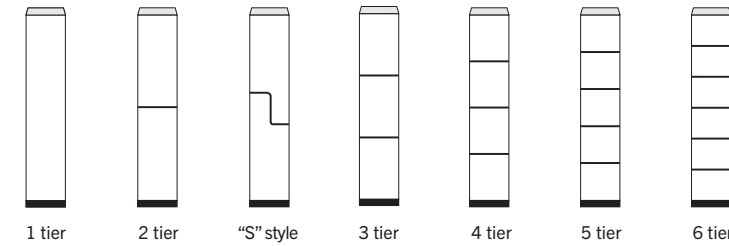
Designer Wood Locker Features



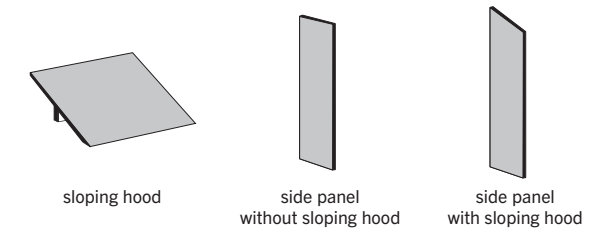
DESIGNER WOOD LOCKERS FEATURES

- Constructed of industrial grade particleboard and covered with durable high pressure laminate.
- Ideal for gyms, health clubs, locker rooms, country clubs, day spas, sports and athletic facilities or wherever a professional environment is desired.
- 1 wide units come fully assembled while 3 wide units require minor assembly.
- All locker doors include heavy duty concealed hinges and a lift up handle and recessed hasp for added security.

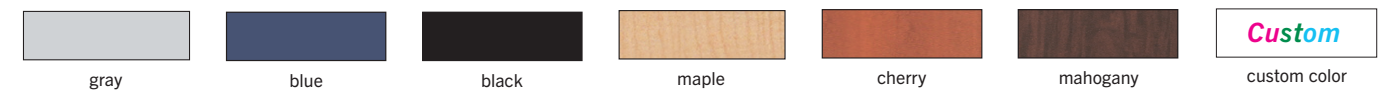
CONFIGURATIONS



TOP AND SIDE OPTIONS

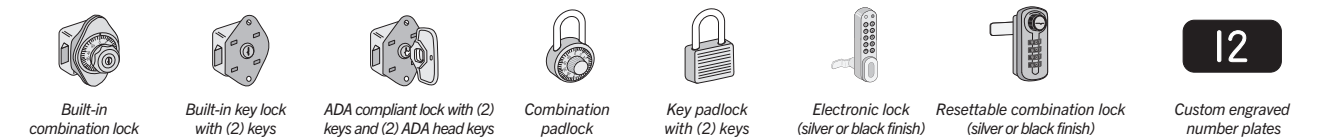


COLOR OPTIONS

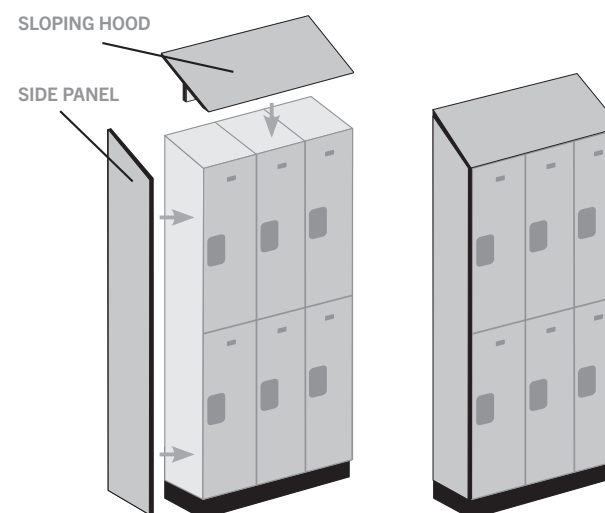


Custom colors - 25% upcharge (minimum fifteen (15) frames) To view all colors visit: www.lockers.com/customdesignerlockers

LOCK OPTIONS / NUMBER PLATES



DISPLAYED WITH OPTIONAL SIDE PANEL AND SLOPING HOOD



Online Resources

- Product Information
- 3D Revit / BIM Models
- Detailed Specifications
- Technical Drawings
- Augmented Reality (AR) Models
- Installation Instructions
- AutoCAD Drawings



Visit: www.lockers.com/Architectural-Resources

MANUFACTURING SINCE 1936

The Industry Leader in Quality Lockers



ORDER FACTORY DIRECT

Large Inventory and Fast Shipping



SALSBURY INDUSTRIES

Contact us to learn more about
Salsbury Industries Wood Lockers!

Discounts Available!
Contact Us
for a Quote Today!



People Committed to Quality Since 1936®

Salsbury Industries
18300 Central Avenue
Carson CA 90746-4008

phone: 1.800.562.5377

fax: 1.800.562.5399

phone: 1.323.846.6700

fax: 1.323.846.6800

email: salsbury@lockers.com

website: www.lockers.com

